

# XM Antenna (for Home) XMA-P1F9

## OUTLINE

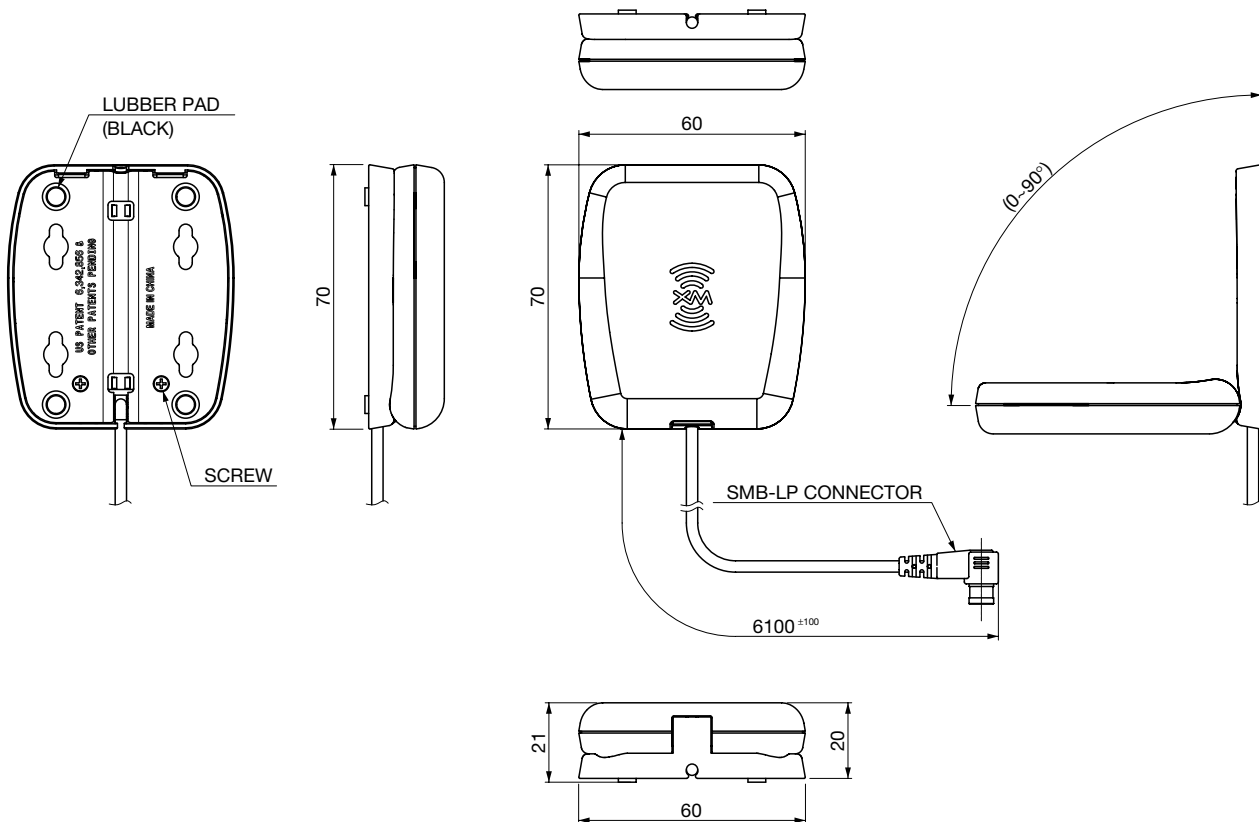
Home-use antenna for receiving the United States' digital radio broadcasting. This is a receiver antenna for XM Satellite Radio, and its specification is open only to makers under contract with XM Satellite Radio.



## FEATURES

1. Reception frequency: 2.3GHz
2. Metal loop antenna is employed: high-gain type
3. External dimensions: 60 (W) × 70 (D) × 20 (H) mm
4. Connector: SMB
5. Cable length: 20 feet

**DIMENSIONS**



NOTE

1. ALL DIMENSION UNITS ARE IN MM.
2. PLASTIC MATERIAL COLOR  
PANTONE PMS426C.